



Generator Set **3508B**

Prime Power
1500 rpm

1010 kVA

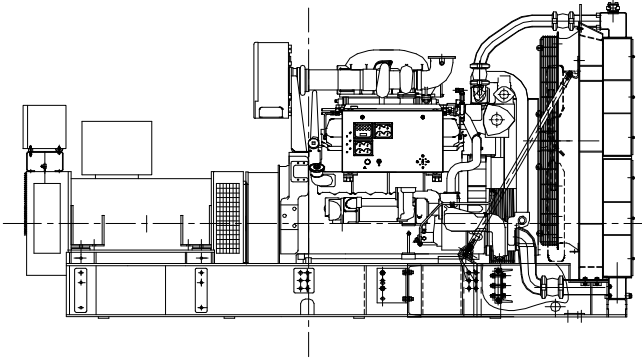
808 ekW

CATERPILLAR® ENGINE SPECIFICATIONS

Engine Model : 3508B DITA

V-8, 4-stroke, Watercooled, Diesel

Bore - mm (in).....	170 (6.7)
Stroke - mm(in).....	190 (7.5)
Displacement - L(cu in).....	34.5 (2105)
Aspiration.....	Turbocharged Separate Circuit After-cooled (SCAC)
Compression Ratio.....	14:1
Governor type.....	Caterpillar ADEM II (Advanced Diesel Engine Management System II)



FEATURES

CAT® DIESEL GENERATOR SETS

- Factory designed, Fully configured generator set.
- Complete system designed and built at Caterpillar® ISO 9001 and Class A Certified facility.
- Production tested and delivered to you as a package.
- Supported 100% by your Caterpillar / HPL dealer, providing extensive post sales support including maintenance & repair agreement.
- Caterpillar / HPL dealer presence for customer support in over 42+ locations throughout India.
- Caterpillar Schedule Oil Sampling (S.O.S) program cost effectively detects internal engine component condition, even the presence of unwanted fluids and combustion by-products.

CAT 3508B DITA DIESEL ENGINE

- Fully Electronic Engine
- Reliable, Rugged, Durable design.
- Field-proven world-wide.
- Four-Stroke-Cycle diesel engine combines consistent performance and excellent fuel economy with minimum weight.

AC GENERATOR

- AC Generators are designed and manufactured for Caterpillar.
- AC Generator sets meet the following specifications: IS4722, BS5000, IEC34, DIN VDE:530
- Matched to the performance and output characteristics of Caterpillar engines.
- Double bearing, star connected, self - excited and self - regulated brushless AC generators.
- 2/3rd pitch – winding minimizes harmonic distortion and facilitates parallel operation.
- Load adjustment module (LAM) provides engine relief upon sudden block loading, improves load acceptance and recovery time.
- Class H insulation.
- AREP windings for better short circuit capability.
- R448 AVR with R731 Three Phase Sensing Module
- Space Heaters, RTD and BTD

CAT CONTROL PANELS

- EMCP II+ offers various engine and electrical metering features.
- Factory engineered, liberally sized, powder coated CRCA sheet power module with suitably sized circuit breaker.
- Auto mains panel, Synchronizing panel, Power Management tools and PLC based control systems & Custom built panels can be offered as options.