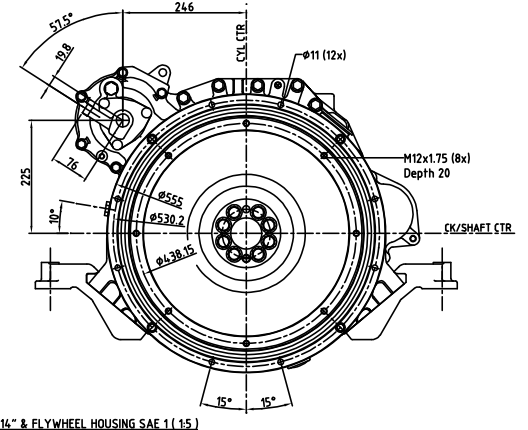
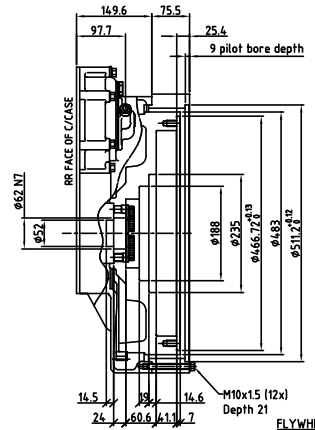
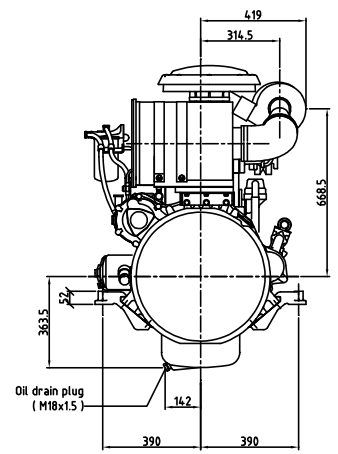
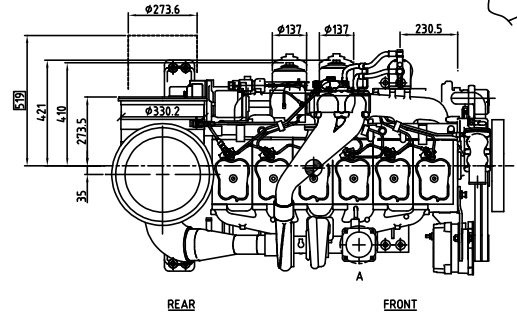
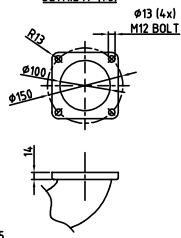
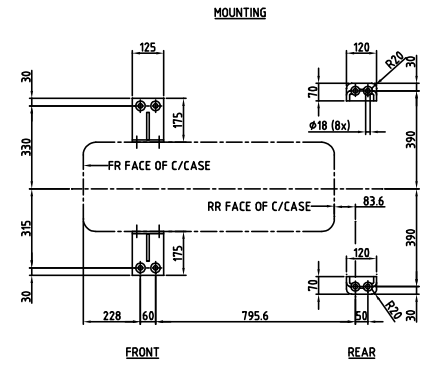
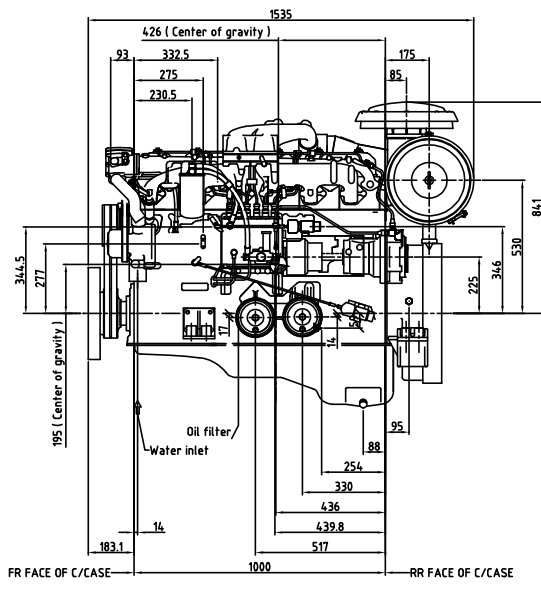
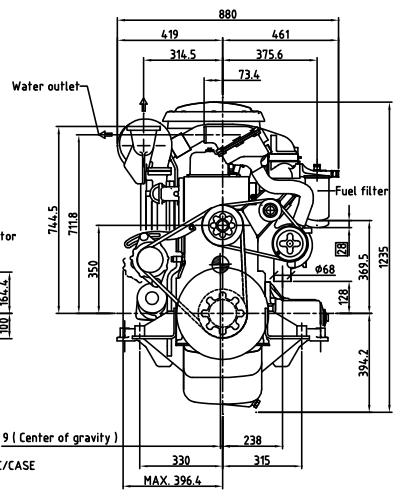
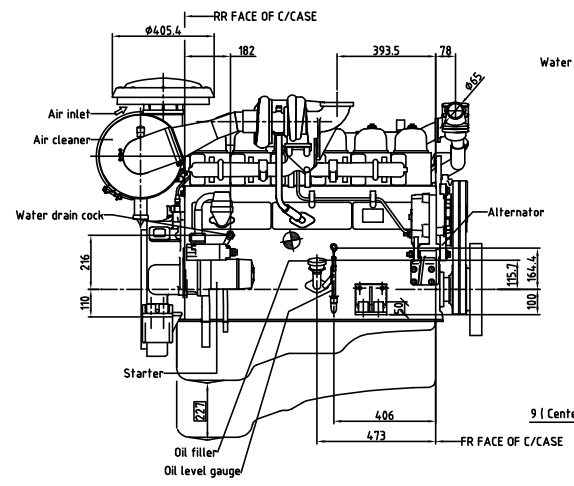


Part No.	Q'ty	Description	Type	Material
----------	------	-------------	------	----------

EXHAUST GAS OUTLET  
DETAIL A (1:5)



FLYWHEEL SAE 16" & FLYWHEEL HOUSING SAE 1 (1:5)



FOR INFORMATION ONLY

BDC for engine manuals and specs  
<https://barringtondieselclub.co.za/>

No.	Date	Description of change
Subject: 6D24-TE1 DIESEL ENGINE		
Type: 6D24-TE1	Checked: S. COZMA	Project No:
Drawn: R.HARRED	Date: 08-09-2011	Scale: 1:10
Date: 05-09-2011	Date: 08-09-2011	Size: A1
MHI EQUIPMENT EUROPE B.V. EUROPEAN SALES AND SERVICE SUBSIDIARY OF MITSUBISHI HEAVY INDUSTRIES LTD. - JAPAN		Revision: B-01778-01
Sheet No. 1/1		Sheet No. 1/1