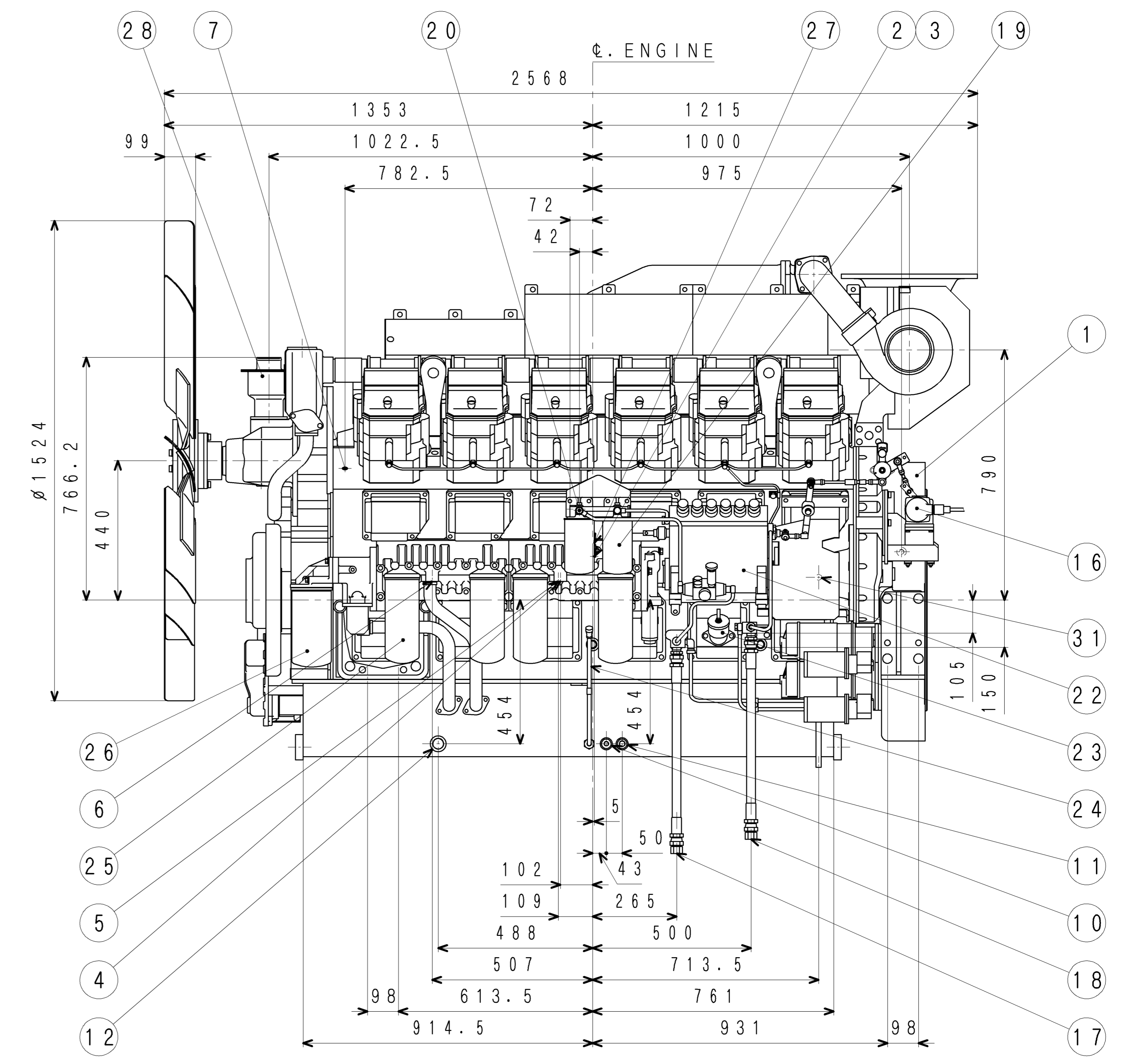
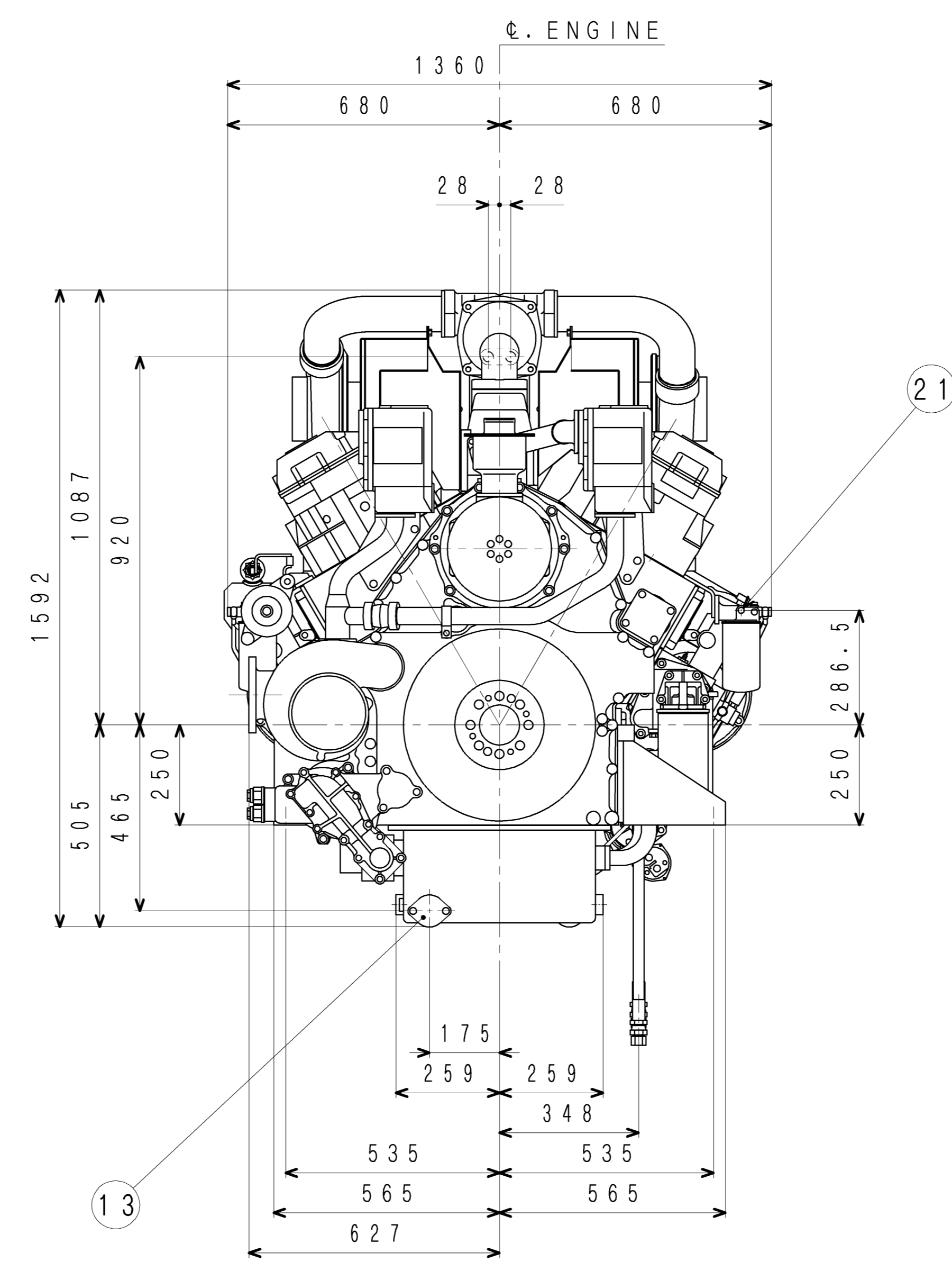
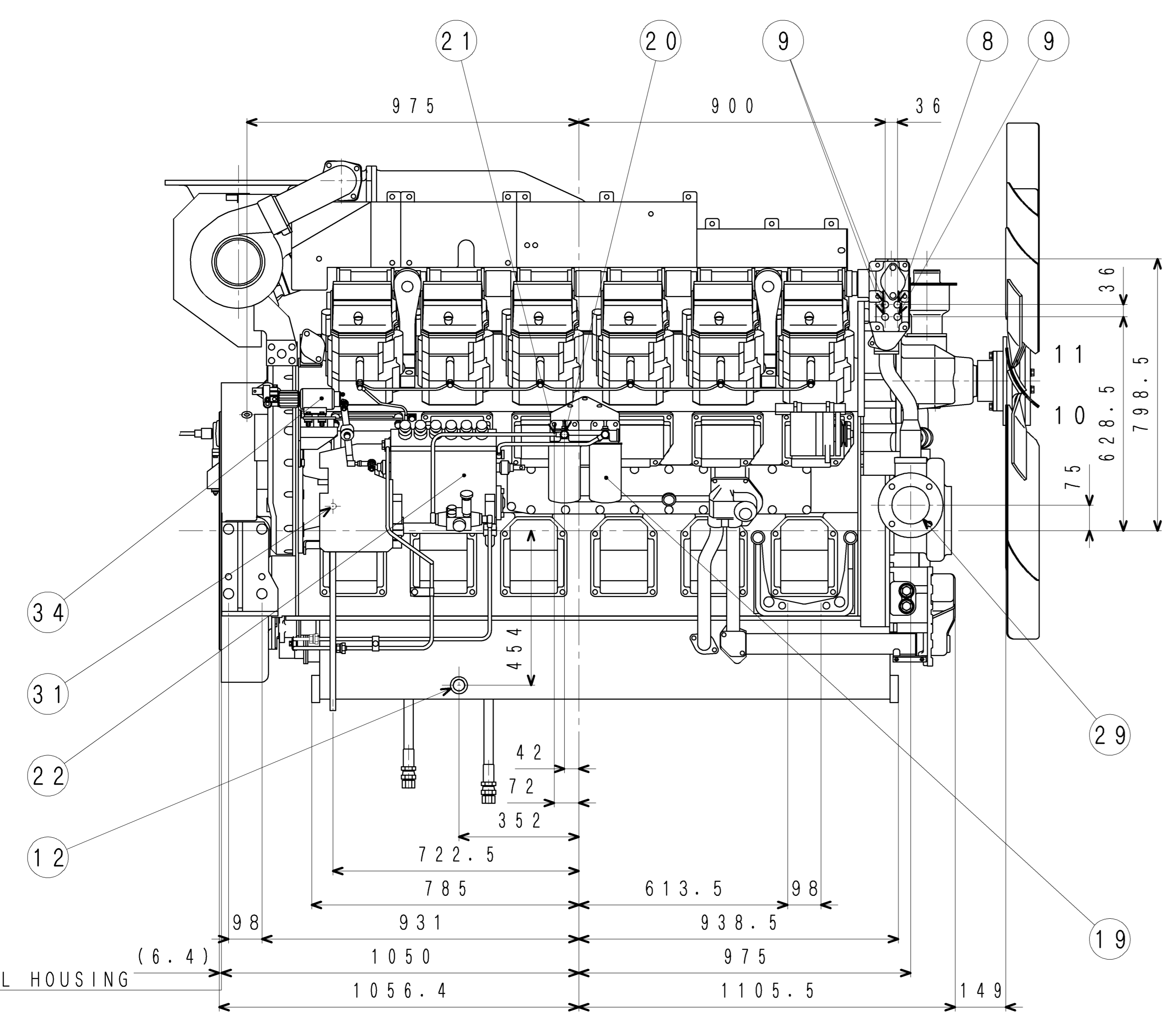
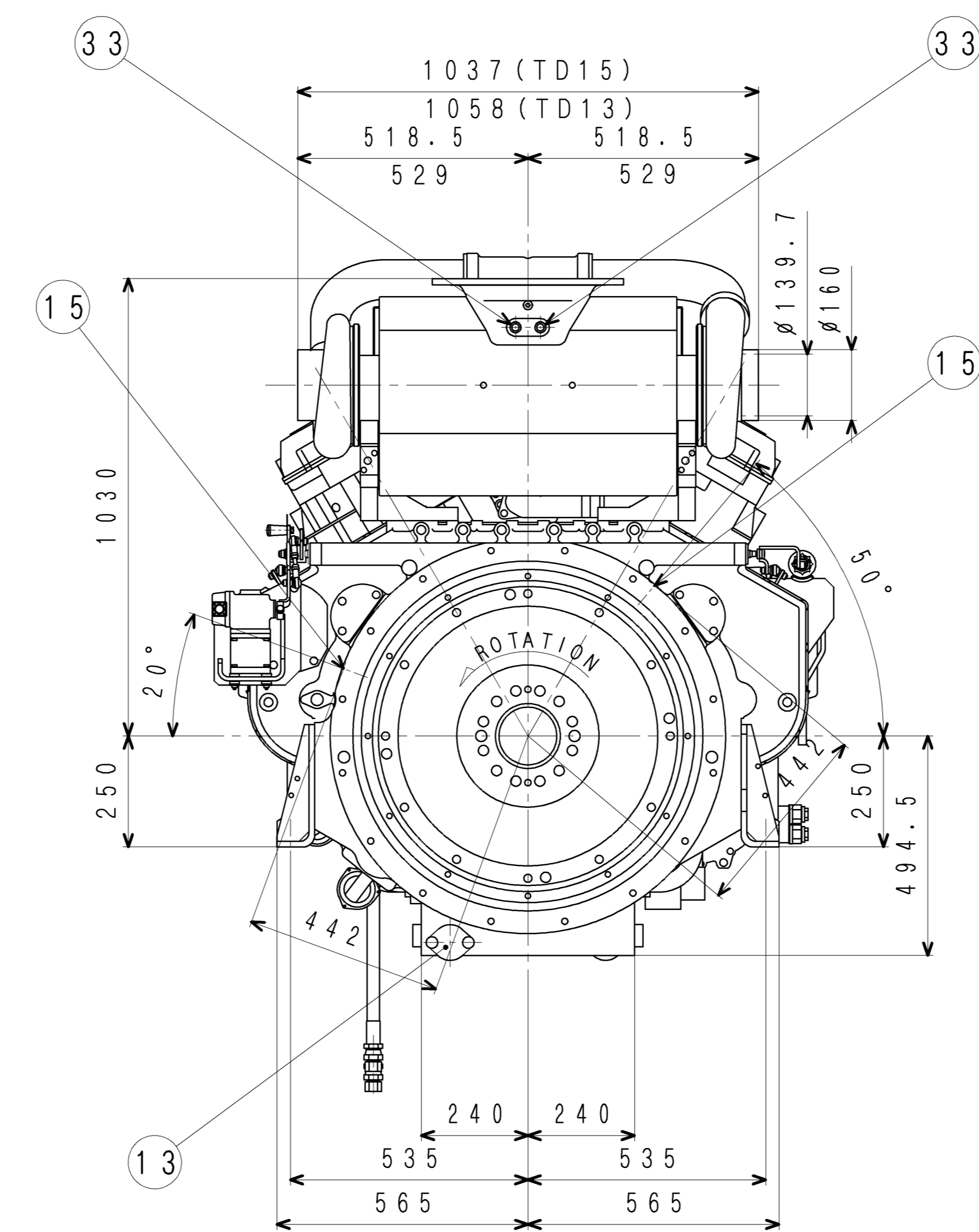
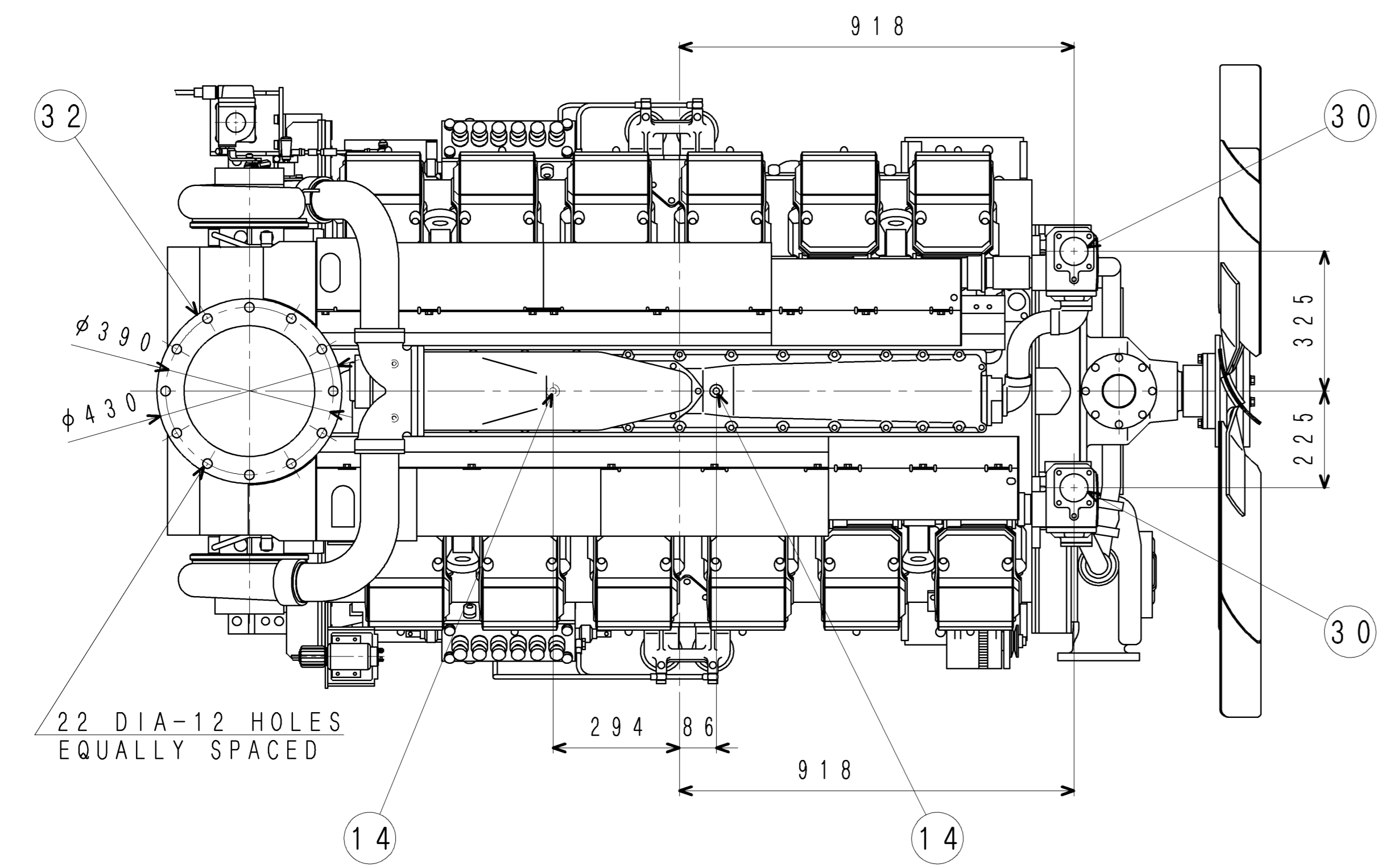


NO.	PARTS NAME	SIZE	REFERENCE
1	FLYWHEEL & HOUSING		37796-21001
2	OIL PRESS. GAGE UNIT JOINT	Rc1/8	37796-01001
3	OIL PRESS. SWITCH JOINT	Rc1/8	↑
4	OIL PRESS. SWITCH JOINT	Rc 1	
5	OIL PRESS. SWITCH JOINT	Rc1/2	
6	OIL PRESS. SWITCH JOINT	Rc1/2	
7	OIL PRESS. SWITCH JOINT	Rc3/8	
8	THERMOMETER UNIT JOINT	Rc1/2	
9	THERMOSWITCH JOINT	Rc1/2	
10	OIL PAN (A) JOINT	M16x1.5	
11	OIL PAN (B) JOINT	M20x1.5	
12	OIL PAN (C) JOINT	M36x1.5	
13	OIL PAN (D) JOINT		
14	AIR PRESS. GAGE JOINT	1/4-18NPT	↓
15	PICKUP JOINT	5/8-18UNF	37796-01001
16	GOVERNOR		
17	FUEL INLET PIPE JOINT	Rc3/4	37796-01001
18	FUEL RETURN PIPE JOINT	Rc3/4	37796-01001
19	FUEL FILTER		
20	FUEL PRESS. SWITCH JOINT	M14x1.5	37796-01001
21	FUEL PRESS. SWITCH JOINT	Rc3/8	37796-01001
22	FUEL INJECTION PUMP		
23	OIL FILLER		
24	OIL LEVEL GAGE		
25	OIL FULL-FLOW FILTER		
26	OIL BY-PASS FILTER		
27	OIL BY-PASS ALARM SWITCH		37796-01001
28	BREATHER		↑
29	WATER INLET PIPE JOINT	90A	↓
30	WATER OUTLET PIPE JOINT		37796-01001
31	WATER DRAIN COCK		
32	EXHAUST FLANGE	300A	
33	THERMOMETER, EX. JOINT	Rc3/4	37796-01001
34	STOP SOLENOID		



END OF FLYWHEEL HOUSING (6.4)

(4) 本図は、マウンティングC=250仕様である。
(3) 本図のガバナは、電子ガバナ仕様である。
(2) 三菱TD13L/1500rpm、TD15/1800rpmターボ装機。
注記 (1) 本図は、S12R-PTA/ファン付標準単体図である。

4590-E888		08.10.3	齊藤
製図 CHK	検図 CHK	DATE	ENK
橋口	竹橋	谷田	戸田
1998.3.2			

375 ANGLE PROJECTION
尺規 SCALE
S12R-PTA (CM-BR)
DIESEL ENGINE
三菱重工業株式会社 汎用機・特車事業本部
MITSUBISHI HEAVY INDUSTRIES, LTD. GENERAL MACHINERY & SPECIAL VEHICLE DEPARTMENT.
図面番号 37796-00222